

US PRODUCT SHEET

VERSAILLES DOUBLE



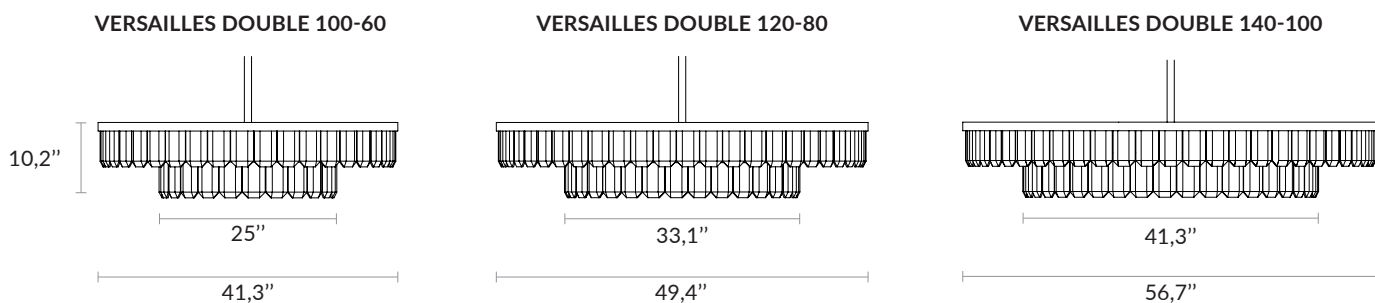
Non contractual picture

AAE VERSAILLES DOUBLE FP



Alain Ellouz
.paris

Type	Chandelier Equipped with UL listed components
Environment	Indoor
Material	Crystals 5,9" x 4" and steel
Suspension system	Ceiling plate or false ceiling system and metal rod Ø 1" Overall drop : min h. 18,3"- max h. 89,1"
Lighting system	LED Strip 2,9W/ft - Dimmable intensity (2700K or 3000K) Remote transformer (concealed option upon request)
Voltage	24 V : transformer provided
Wattage	VERSAILLES DOUBLE 100-60 : 110 W VERSAILLES DOUBLE 120-80 : 140 W VERSAILLES DOUBLE 140-100 : 170 W
Luminous flux	VERSAILLES DOUBLE 100-60 : 4070 lm VERSAILLES DOUBLE 120-80 : 5370 lm VERSAILLES DOUBLE 140-100 : 6435 lm
Weight	VERSAILLES DOUBLE 100-60 : 154,3 lb VERSAILLES DOUBLE 120-80 : 198,4 lb VERSAILLES DOUBLE 140-100 : 242,5 lb



VERSAILLES DOUBLE[©]
DESIGN BY ATELIER ALAIN ELLOUZ
MADE IN FRANCE

	VERSAILLES DOUBLE 100-60	VERSAILLES DOUBLE 120-80	VERSAILLES DOUBLE 140-100
Polished gold	COL-0435	COL-0441	COL-0447
Antique brass	COL-0437	COL-0443	COL-0449
Polished stainless steel	COL-0439	COL-0445	COL-0451

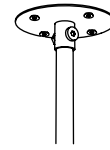
References

Warranty 2 years warranty. General terms and conditions of sale.

FIXING SYSTEMS AND FINISHES

- **HIDDEN INDIVIDUAL FIXING**

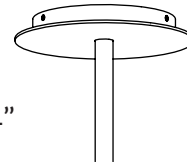
System adapted to false ceilings for an aspect without a visible fixation (the rod comes out directly from the ceiling). The hole in the false ceiling can be finished with an eyelet.



- **VERSAILLES CANOPY**

Individual ceiling fixing.

Ø 7,9" x H1"



- **RODS AND CANOPY FINISHES**

Metal plating finish :



Antique brass
ref : dcl-005



Golden polish
ref : dcl-010

Metal finish :



Polished stainless steel
ref : dcl-003

LIGHTING CONTROL SYSTEM

To be chosen according to project : DMX, DALI (DT8), TRIAC (phase dimming, setting knobs to choose the light temperature), 1-10V (two 1-10V bus required), NONE (setting knob to choose and fix the light intensity and temperature).

For a correct functioning the remote transformer / driver must be placed in an accessible place at maximum 33' / 10 m from the light fixture.